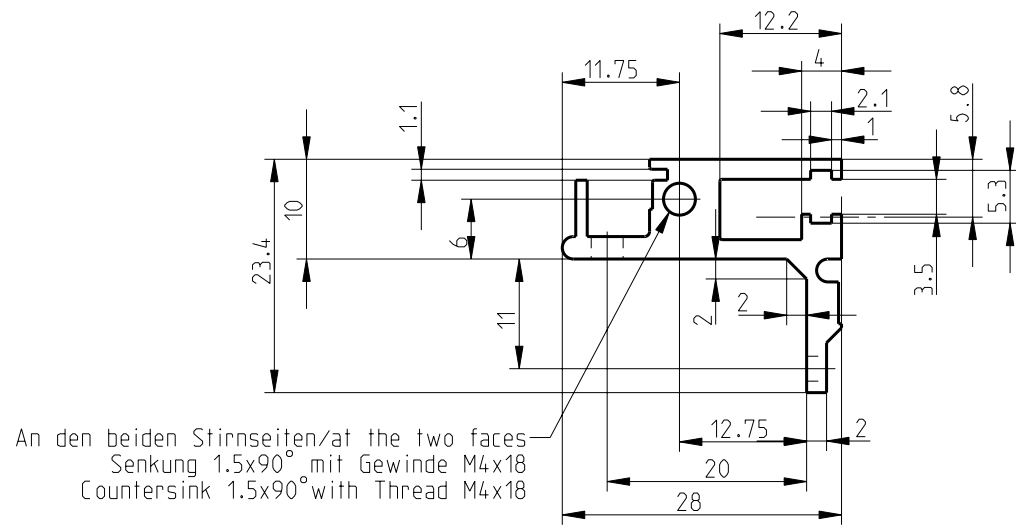
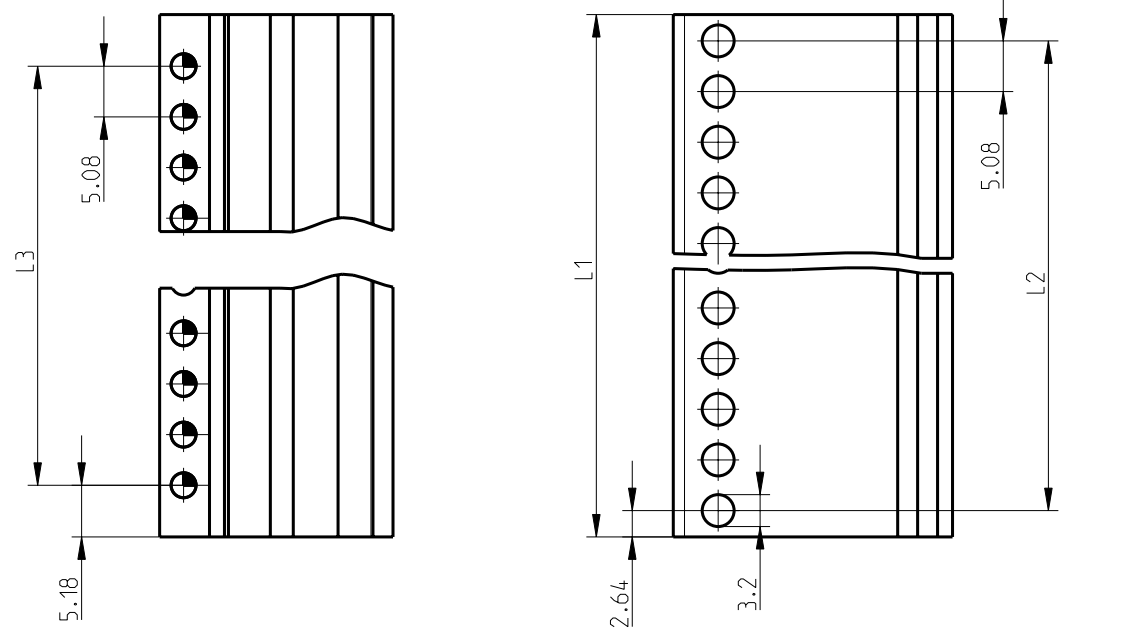


Weitergabe sowie Veröffentlichung dieses Umsetzungs-Verweirung und Mitteilung ihres Inhalts nicht gestattet, soweit nicht ausdrücklich zugelassen. Zuwiderhandlungen werden insbesondere bei der Patentierung oder OH-Eintragung.

The reproduction, distribution and utilization of this document as well as the communication of its contents to others without explicit authorization is prohibited. Any rights reserved in the event of the grant of a patent, utility model or design.



An den beiden Stirnseiten/at the two faces
 Senkung 1.5x90° mit Gewinde M4x18
 Countersink 1.5x90° with Thread M4x18

| Art.Nr. | Zeichnungs Nr. | L1 | Art.Nr. | Zeichnungs Nr. | L1 | Art.Nr. | Zeichnungs Nr. | L1 | Art.Nr. | Zeichnungs Nr. | L1 |
|-------------------|----------------|----|-------------------|----------------|----|-------------------|----------------|----|-------------------|----------------|----|
| Part No. | Drawing No. | | Part No. | Drawing No. | | Part No. | Drawing No. | | Part No. | Drawing No. | |
| J31813-VI225-M001 | 10.36 | | J31813-VI225-M050 | 259.28 | | J31813-VI225-M100 | 513.28 | | J31813-VI225-M150 | 767.28 | |
| J31813-VI225-M002 | 15.44 | | J31813-VI225-M051 | 264.36 | | J31813-VI225-M101 | 518.36 | | J31813-VI225-M151 | 772.36 | |
| J31813-VI225-M003 | 20.52 | | J31813-VI225-M052 | 269.44 | | J31813-VI225-M102 | 523.44 | | J31813-VI225-M152 | 777.44 | |
| J31813-VI225-M004 | 25.60 | | J31813-VI225-M053 | 274.52 | | J31813-VI225-M103 | 528.52 | | J31813-VI225-M153 | 782.52 | |
| J31813-VI225-M005 | 30.68 | | J31813-VI225-M054 | 279.60 | | J31813-VI225-M104 | 533.60 | | J31813-VI225-M154 | 787.60 | |
| J31813-VI225-M006 | 35.76 | | J31813-VI225-M055 | 284.68 | | J31813-VI225-M105 | 538.68 | | J31813-VI225-M155 | 792.68 | |
| J31813-VI225-M007 | 40.84 | | J31813-VI225-M056 | 289.76 | | J31813-VI225-M106 | 543.76 | | J31813-VI225-M156 | 797.76 | |
| J31813-VI225-M008 | 45.92 | | J31813-VI225-M057 | 294.84 | | J31813-VI225-M107 | 548.84 | | J31813-VI225-M157 | 802.84 | |
| J31813-VI225-M009 | 51.00 | | J31813-VI225-M058 | 299.92 | | J31813-VI225-M108 | 553.92 | | J31813-VI225-M158 | 807.92 | |
| J31813-VI225-M010 | 56.08 | | J31813-VI225-M059 | 305.00 | | J31813-VI225-M109 | 559.00 | | J31813-VI225-M159 | 813.00 | |
| J31813-VI225-M011 | 61.16 | | J31813-VI225-M060 | 310.08 | | J31813-VI225-M110 | 564.08 | | J31813-VI225-M160 | 818.08 | |
| J31813-VI225-M012 | 66.24 | | J31813-VI225-M061 | 315.16 | | J31813-VI225-M111 | 569.16 | | J31813-VI225-M161 | 823.16 | |
| J31813-VI225-M013 | 71.32 | | J31813-VI225-M062 | 320.24 | | J31813-VI225-M112 | 574.24 | | J31813-VI225-M162 | 828.24 | |
| J31813-VI225-M014 | 76.40 | | J31813-VI225-M063 | 325.32 | | J31813-VI225-M113 | 579.32 | | J31813-VI225-M163 | 833.32 | |
| J31813-VI225-M015 | 81.48 | | J31813-VI225-M064 | 330.40 | | J31813-VI225-M114 | 584.40 | | J31813-VI225-M164 | 838.40 | |
| J31813-VI225-M016 | 86.56 | | J31813-VI225-M065 | 335.48 | | J31813-VI225-M115 | 589.48 | | J31813-VI225-M165 | 843.48 | |
| J31813-VI225-M017 | 91.64 | | J31813-VI225-M066 | 340.56 | | J31813-VI225-M116 | 594.56 | | J31813-VI225-M166 | 848.56 | |
| J31813-VI225-M018 | 96.72 | | J31813-VI225-M067 | 345.64 | | J31813-VI225-M117 | 599.64 | | J31813-VI225-M167 | 853.64 | |
| J31813-VI225-M019 | 101.80 | | J31813-VI225-M068 | 350.72 | | J31813-VI225-M118 | 604.72 | | J31813-VI225-M168 | 858.72 | |
| J31813-VI225-M020 | 106.88 | | J31813-VI225-M069 | 355.80 | | J31813-VI225-M119 | 609.80 | | | | |
| J31813-VI225-M021 | 111.96 | | J31813-VI225-M070 | 360.88 | | J31813-VI225-M120 | 614.88 | | | | |
| J31813-VI225-M022 | 117.04 | | J31813-VI225-M071 | 365.96 | | J31813-VI225-M121 | 619.96 | | | | |
| J31813-VI225-M023 | 122.12 | | J31813-VI225-M072 | 371.04 | | J31813-VI225-M122 | 625.04 | | | | |
| J31813-VI225-M024 | 127.20 | | J31813-VI225-M073 | 376.12 | | J31813-VI225-M123 | 630.12 | | | | |
| J31813-VI225-M025 | 132.28 | | J31813-VI225-M074 | 381.20 | | J31813-VI225-M124 | 635.20 | | | | |
| J31813-VI225-M026 | 137.36 | | J31813-VI225-M075 | 386.28 | | J31813-VI225-M125 | 640.28 | | | | |
| J31813-VI225-M027 | 142.44 | | J31813-VI225-M076 | 391.36 | | J31813-VI225-M126 | 645.36 | | | | |
| J31813-VI225-M028 | 147.52 | | J31813-VI225-M077 | 396.44 | | J31813-VI225-M127 | 650.44 | | | | |
| J31813-VI225-M029 | 152.60 | | J31813-VI225-M078 | 401.52 | | J31813-VI225-M128 | 655.52 | | | | |
| J31813-VI225-M030 | 157.68 | | J31813-VI225-M079 | 406.60 | | J31813-VI225-M129 | 660.60 | | | | |
| J31813-VI225-M031 | 162.76 | | J31813-VI225-M080 | 411.68 | | J31813-VI225-M130 | 665.68 | | | | |
| J31813-VI225-M032 | 167.84 | | J31813-VI225-M081 | 416.76 | | J31813-VI225-M131 | 670.76 | | | | |
| J31813-VI225-M033 | 172.92 | | J31813-VI225-M082 | 421.84 | | J31813-VI225-M132 | 675.84 | | | | |
| J31813-VI225-M034 | 178.00 | | J31813-VI225-M083 | 426.92 | | J31813-VI225-M133 | 680.92 | | | | |
| J31813-VI225-M035 | 183.08 | | J31813-VI225-M084 | 432.00 | | J31813-VI225-M134 | 686.00 | | | | |
| J31813-VI225-M036 | 188.16 | | J31813-VI225-M085 | 437.08 | | J31813-VI225-M135 | 691.08 | | | | |
| J31813-VI225-M037 | 193.24 | | J31813-VI225-M086 | 442.16 | | J31813-VI225-M136 | 696.16 | | | | |
| J31813-VI225-M038 | 198.32 | | J31813-VI225-M087 | 447.24 | | J31813-VI225-M137 | 701.24 | | | | |
| J31813-VI225-M039 | 203.40 | | J31813-VI225-M088 | 452.32 | | J31813-VI225-M138 | 706.32 | | | | |
| J31813-VI225-M040 | 208.48 | | J31813-VI225-M089 | 457.40 | | J31813-VI225-M139 | 711.40 | | | | |
| J31813-VI225-M041 | 213.56 | | J31813-VI225-M090 | 462.48 | | J31813-VI225-M140 | 716.48 | | | | |
| J31813-VI225-M042 | 218.64 | | J31813-VI225-M091 | 467.56 | | J31813-VI225-M141 | 721.56 | | | | |
| J31813-VI225-M043 | 223.72 | | J31813-VI225-M092 | 472.64 | | J31813-VI225-M142 | 726.64 | | | | |
| J31813-VI225-M044 | 228.80 | | J31813-VI225-M093 | 477.72 | | J31813-VI225-M143 | 731.72 | | | | |
| J31813-VI225-M045 | 233.88 | | J31813-VI225-M094 | 482.80 | | J31813-VI225-M144 | 736.80 | | | | |
| J31813-VI225-M046 | 238.96 | | J31813-VI225-M095 | 487.88 | | J31813-VI225-M145 | 741.88 | | | | |
| J31813-VI225-M047 | 244.04 | | J31813-VI225-M096 | 492.96 | | J31813-VI225-M146 | 746.96 | | | | |
| J31813-VI225-M048 | 249.12 | | J31813-VI225-M097 | 498.04 | | J31813-VI225-M147 | 752.04 | | | | |
| J31813-VI225-M049 | 254.20 | | J31813-VI225-M098 | 503.12 | | J31813-VI225-M148 | 757.12 | | | | |
| | | | J31813-VI225-M099 | 508.20 | | J31813-VI225-M149 | 762.20 | | | | |

9901991

⊙ = M2.5

1) matt gebeizt, farblos chromatiert
clear chromate

2) Standardprodukt: alle weiteren Typen auf Anfrage
standard product: all other types on request

3) Technische Änderungen vorbehalten
subject to change without notice

Dieses Bauteil unterliegt den Reglementierungen der RoHS Richtlinie und deren Umsetzung im ElektroG.

This component is subject to the RoHS directive and its applications within the Electrical and Electronic Equipment Act (ElektroG).

| | | | | | |
|-----------------------|---------|--------------------|-----------|--|--|
| Toleranzen tolerances | | Oberfläche surface | | Maßstab/scale 2:1 | |
| | | 1) | | Aluminium | |
| | | Date | 16.09.02 | Schiene/Rail H 10mm Z | |
| | | Name | Kör./FroS | | |
| A3 | R489 | 24.10.06 | FroS | Low-Cost mit Z-Profil und Nut Low-Cost with Z-Profile and Nut | |
| A2 | R269 | 03.05.05 | Vish | | |
| Rev. | Rev no. | Date | Name | J31813-VI225-M000_M168-A3-0027 | |
| | | | | RITTAL RES GmbH & Co.KG | |

CAD

1 Blätter
1 Blatt
sheet

Datei-Name: J31813-VI225-M000_M168-A3-0027 Modell-Name: J31813-VI225-1900-X0-0055